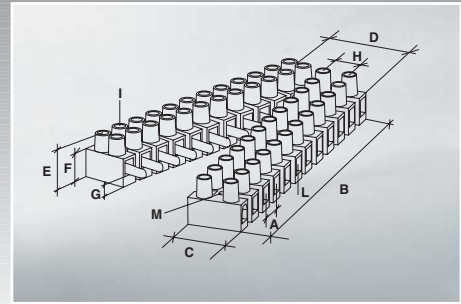
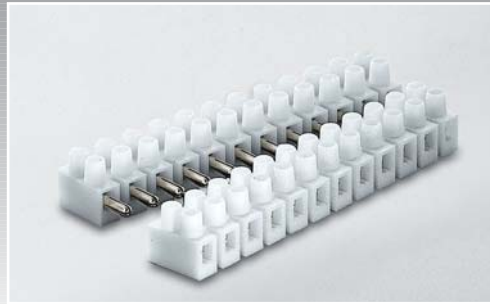


Serie Spine Plugs



Materiale Material	Descrizione Description	Articolo Item	Codice Code	Articolo Item	Codice Code	Articolo Item	Codice Code	Articolo Item	Codice Code				
	Bornier male-female Male + female plug	OK 431-PLP-SP	40950.10	OK 433-PLP-SP	40965.10	OK 434-PLP-SP	40980.10	OK 115-PLP-SP	41690.10				
PLP UL94 V2 Temperatura limite sup. 120°C Upper limiting temper. 120°C	Spina maschio Male plug	OK 431-PLP-SPM	40950.27	OK 433-PLP-SPM	40965.27	OK 434-PLP-SPM	40980.27	OK 115-PLP-SPM	41690.27				
	Spina femmina Female plug	OK 431-PLP-SPF	40950.28	OK 433-PLP-SPF	40965.28	OK 434-PLP-SPF	40980.28	OK 115-PLP-SPF	41690.28				
	Spina maschio + femmina Male + female plug	OK 431-NY-SP	41615.10	OK 433-NY-SP	41645.07	OK 434-NY-SP	41630.07	OK 115-NY-SP	41680.07				
PA 6.6 UL94 V2 Temperatura limite sup. 145°C Upper limiting temp. 145°C T 160°C per/for 431	Spina maschio Male plug	OK 431-NY-SPM	41615.27	OK 433-NY-SPM	41645.27	OK 434-NY-SPM	41630.27	OK 115-NY-SPM	41680.27				
	Spina femmina Female plug	OK 431-NY-SPF	41615.28	OK 433-NY-SPF	41645.28	OK 434-NY-SPF	41630.28	OK 115-NY-SPF	41680.28				
	Spina maschio + femmina Male + female plug	OK 431-FV-SP	41700.17	OK 433-FV-SP	41760.17	OK 434-FV-SP	41730.17	OK 115-FV-SP	41745.17				
PA 6.6 UL94 V0 Temperatura limite sup. 180°C Upper limiting temp. 180°C	Spina maschio Male plug	OK 431-FV-SPM	41700.27	OK 433-FV-SPM	41760.27	OK 434-FV-SPM	41730.27	OK 115-FV-SPM	41745.27				
	Spina femmina Female plug	OK 431-FV-SPF	41700.28	OK 433-FV-SPF	41760.28	OK 434-FV-SPF	41730.28	OK 115-FV-SPF	41745.28				
Numero poli Number of poles	n.	2-3-4-6-12		2-3-4-6-12		2-3-4-6-12		2-4-8-16					
Dimensioni (per versione PLP): Dimensions (for version PLP):													
Passo Pitch	A mm	8		10		12		11,5					
Lunghezza Length	B mm	94,9		117		140,4		180,5					
Larghezza Width	C mm	16,3		20,2		23,2		23,1					
Larghezza morsetti accoppiati (SP) Width of paired terminal blocks (SP)	D mm	32,6		40,4 34,2 per / for OK 403 SP		46,4		46,2					
Altezza Height	E mm	15		16,6		20,3		18					
Altezza del solo corpo Height of the body only	F mm	9,4		10,2		11		11					
Spessore base Base thickness	G mm	3		3		3,1		1,8					
Interasse caminetti Chimneys interaxis	H mm	6		10		10		10					
Vite (in acciaio zincato) Screw (in zinked steel)	I M	3		3		3,5		3,5					
Diametro foro bussola (in OT58 nichelato) Bush hole diameter (in OT58 nickel plated)	L mm	2,9		3,4		4,3		4,3					
Diametro foro di fissaggio Fixing hole diameter	M mm	2,8		3,4		4,1		3,5					
Confezione commerciale per SP - 12 poli Commercial packing for SP - 12 poles	n.	384 in pacchetti da 6 pz. 384 in packets of 6 pcs.		198 in pacchetti da 6 pz. 198 in packets of 6 pcs.		120 in pacchetti da 6 pz. 120 in packets of 6 pcs.							
Confezione industriale per SP Industrial packing for SP	n.	2p 1500 6p 500	3p 1100 12p 384	4p 750	2p 1000 6p 350	3p 700 12p 198	4p 500	2p 800 6p 200	3p 600 12p 120	4p 400	8p 1000	16p 96	
Confezione industriale per SPM o SPF Industrial packing for SPM or SPF	n.	2p 3000 6p 1000	3p 2000 12p 660	4p 1500	2p 2000 6p 700	3p 1300 12p 380	4p 1000	2p 1600 6p 400	3p 1200 12p 225	4p 800	8p 500	16p 200	
Accessori e marcature Accessories and markings	vedi pagina see page	12		12		12		12					
Altri accessori: Other accessories:						tappi colorati per identif. poli coloured caps for poles identif.		tappi colorati per identif. poli coloured caps for poles identif.					
Approvazioni: Approvals:	CEI EN 60998-1 CEI EN 60998-2-1	2,5mm²	24A	250V	4mm²	28A	250V	10mm²	45A	250V	6mm²	35A	450V
Quando montate su base isolante: When mounted on a suitable insulating base:		2,5mm²	24A	450V	4mm²	28A	450V	10mm²	45A	450V			
		OK 403-NY-SP-LP											
		12AWG 20A 300V											



T 105 °C UL 486 E

